



Fonderie Sime S.p.A. - Via Garbo, 27 - 37045 Legnago (VR) - www.sime.it
Tribunale Verona 13531 - R.E.A. VR 171357 - C.C.P. 19423375 - N° Mecc. VR 014435
Capitale Sociale Euro 5.521.200 int. versato - Codice Fiscale/Partita IVA n. IT 01275930236

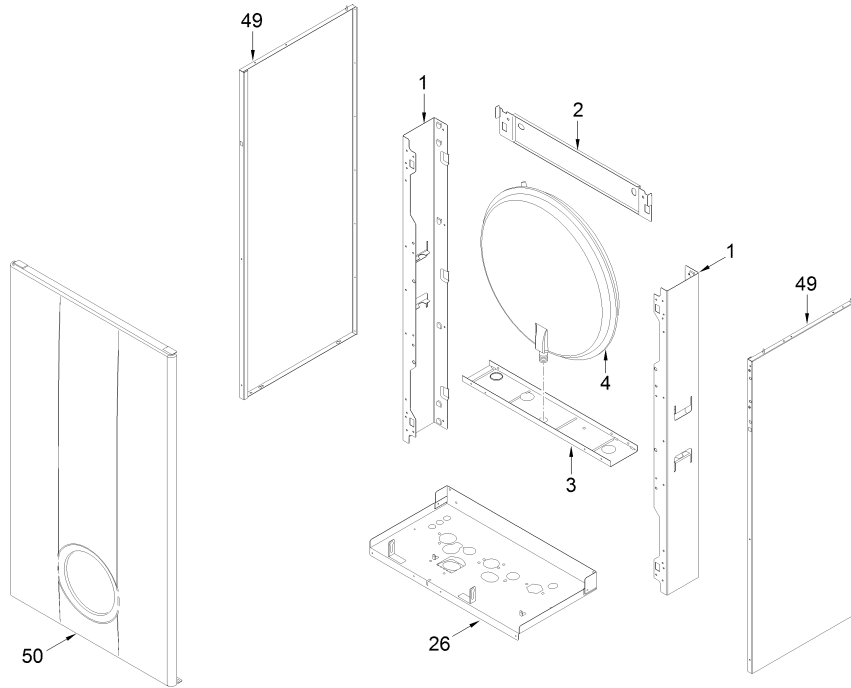
Comfort Ambiente - Via Garbo, 27 - 37045 Legnago (VR)

Tel +39 0442 631111 - Fax Servizio Commerciale: Italia +39 0442 631291 - Estero +39 0442 631293

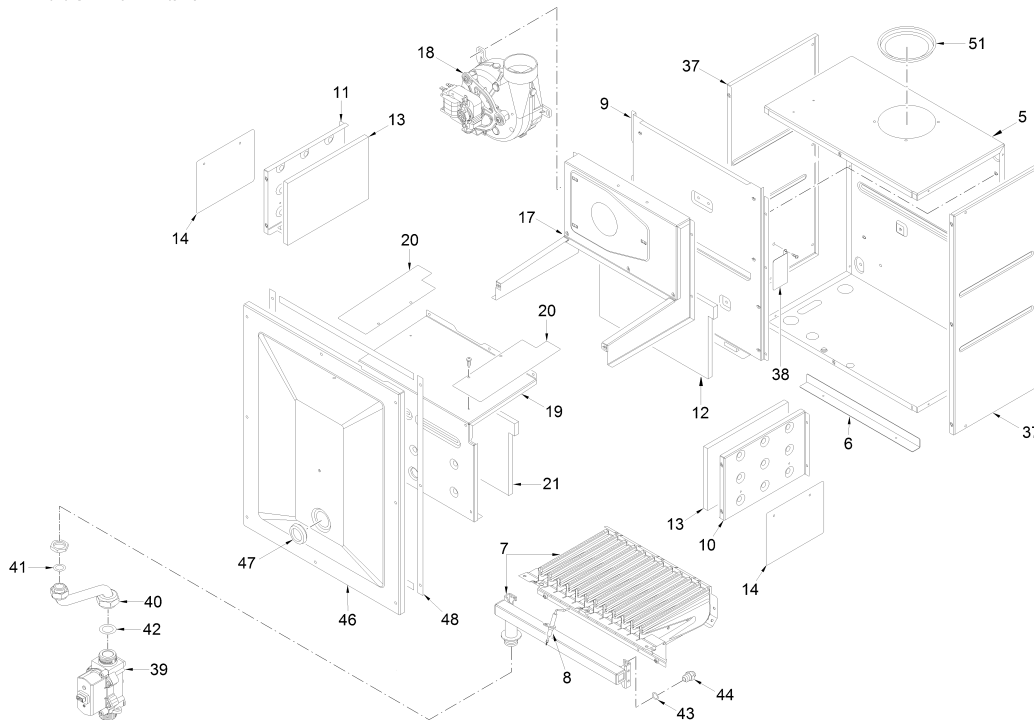
Fax Servizio Tecnico +39 0442 631292 - Fax Ufficio Acquisti +39 0442 631292 - Fax Amministrazione +39 0442 631336

8112506 CALD.MET. BRAVA SLIM 40 BF

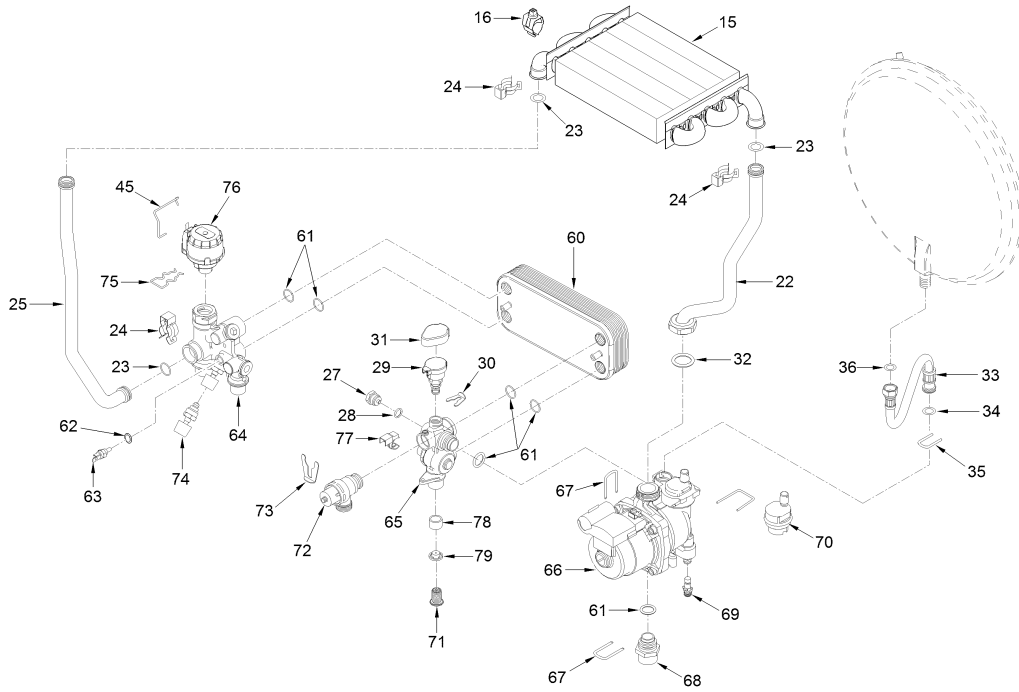
Brava SLIM 40 BF mantello



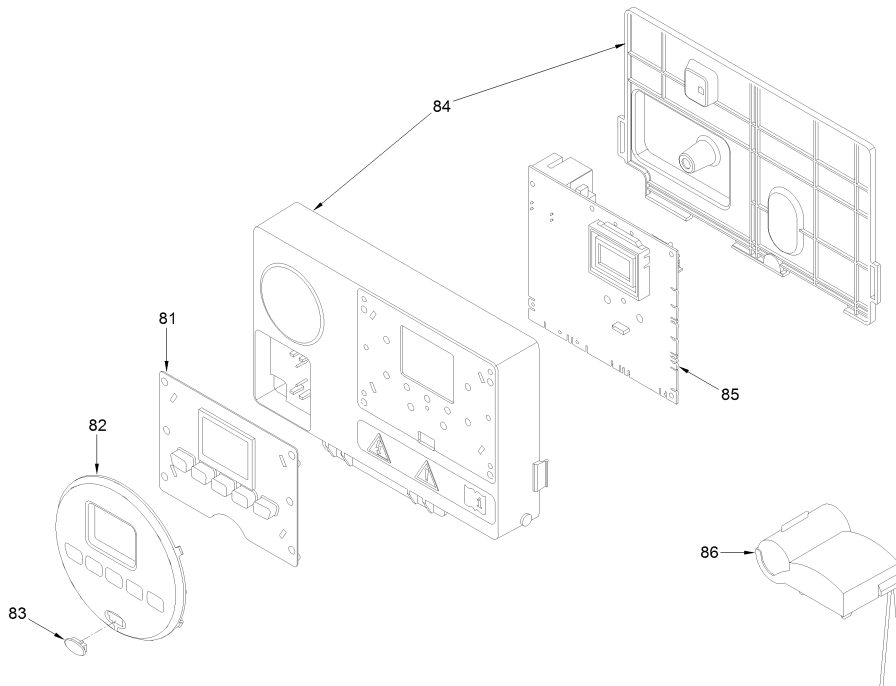
Brava SLIM 40 BF interno



Brava SLIM 40 BF gruppo idraulico - scambiatore



Brava SLIM 40 BF gruppo pannello strumenti



Posiz.	Codice	Descrizione
001	6138570	Side frame part
002	6138771	Frame assembly upper support
003	6255431	Expansion vessel lower support
004	5139130	Expansion vessel I.8 - 3/8" M
005	6288117	Sealed chamber rear panel
006	6257537	Air deflector
007	5190770	Main burner assembly
008	6235936	Ignition-ionisation electrode
009	6288418	Combustion chamber rear panel
010	6288520	Combust. chamber right hand sid
011	6288620	Combust. chamber left hand side
012	6139773	Combustion chamber rear insulat
013	6318750	Combustion chamber side insulat
014	6257538	Lower air deflector
015	6174280	Gas/Water heat exchanger
016	6231362	NTC sensor

017	5190610	Smoke chamber assembly	
018	6225644	Fan	
019	6288710	Combustion chamber front panel	
020	6257511	Air deflector	
021	6139771	Combustion chamber front insula	
022	6264869	C.H. return pipe	
023	6226412	O-ring 3068	
024	6226601	Spring for heat exchanger conne	
025	6227472	Flowing pipe to C.H. system	
026	6264570	Frame assembly lower side	
027	6147401	Plug 1/4"	
028	2030225	Gasket Ø 5,5x11x2	
029	6273608	Water pressure transducer	
030	6226639	Spring clip	
031	6319650	Bitron transducer cap	
032	2030267	Piracriten gasket Ø 30x17x2	
033	6017405	Flexible pipe M.F. 3/8" L=300	
034	6226476	ORing diam.15x2	
035	6226643	Pipe fixing spring	
036	2030226	Gasket Ø 10,2x14,8x2	
037	6288200	Sealed chamber side panel	
038	6215220	Cables protection bracket	
039	6243838	Gas valve	
040	6195217	Gas inlet pipe	
041	2030255	Gasket Ø 12,5x18,5x3	
042	2030249	Gasket Ø 24x17x3	
043	6022004	Copper washer Ø 6	
044	6296102	Main burner nozzle diam. 1,40	MET
044A	6296114	Main burner nozzle diam. 0,81	GPL
045	6226638	Divertor valve motor spring cli	
046	6288310	Sealed chamber front panel	
047	6001210	Peephole	
048	5192200	Gasket for sealed chamber	
049	6304495	casing left/right side panel	
050	6325011	Casing front panel	
051	6028624	Air diaphragm Ø 87.5	
060	6265658	16 plate-type heat exchanger	
061	6226475	ORing diam.18,64x3,53	
062	6022010	Sensor gasket	
063	6231351	Plunged sensor	
064	6265870	C.H. flow manifold	
065	6265830	C.H. return manifold	
066	6272342	Circulating pump	
067	6226644	Spring clip for rotating connec	
068	6120560	Pump nipple 3/4"	
069	6319643	Discharger cock	
070	6013182	Automatic air vent	
071	6222003	D.H.W. filter	
072	6040225	Pressure relief valve 1/2" 3 ba	
073	6226645	Spring clip	
074	6319639	Filling cock	
075	6226636	D.H.W. elektrovalve fix.spring	
076	6087332	Motor for diverting valve	
077	6131440	Flowmeter sensor	
081	6305131	Rubber button	
082	6304831	Interface panel	
083	6305140	Rubber cap	
084	6304720	Control panel	
085	6324900	Main P.C.B.	
086	6245380	Pump connector	
700	6281534	Gaskets kit	
701	6319695	Murelle-Format-.....o-ring kit	
702	5144725	L.P.G. conversion kit	
703	5202162	Hydraulic group	
704	5202315	Complete control panel	
705	6323875	6 pole cable connector	
706	6323876	4 pole cable connector	
707	6323877	14 pole cable connector	
708	6325600	9 pole cable connector	
709	6325601	4 pole cable connector	
710	6319700	Springs / clamps kit DIN	
711	6319644	Flowmeter group	
712	6319645	Three-way plates group	