



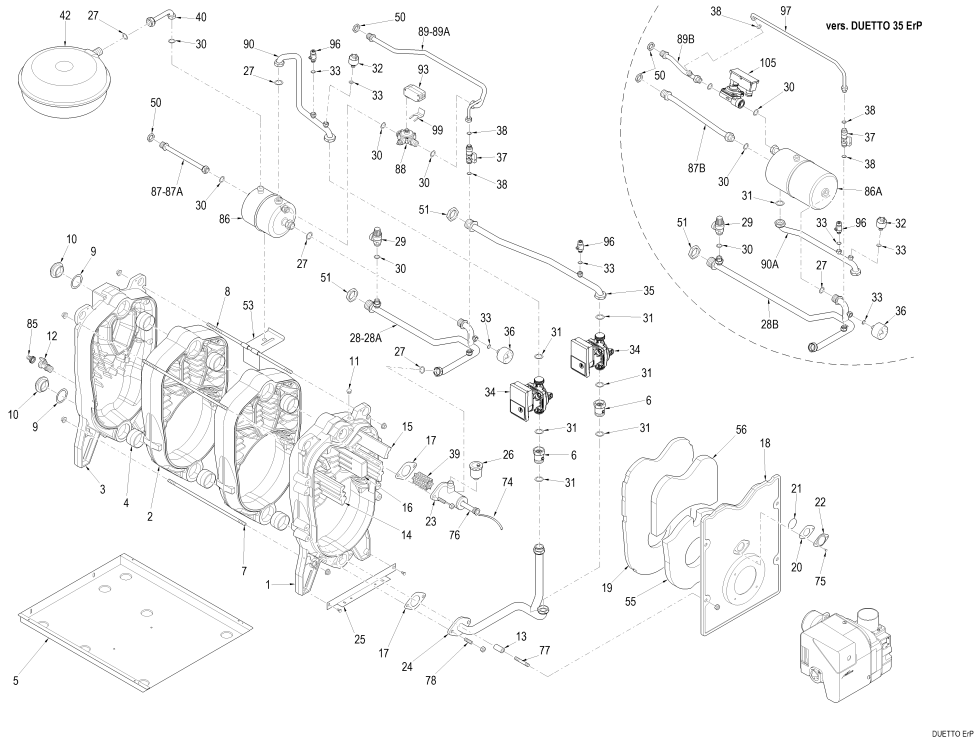
Fonderie Sime S.p.A. - Via Garbo, 27 - 37045 Legnago (VR) - [www.sime.it](http://www.sime.it)  
 Tribunale Verona 13531 - R.E.A. VR 171357 - C.C.P. 19423375 - N° Mecc. VR 014435  
 Capitale Sociale Euro 5.521.200 int. versato - Codice Fiscale/Partita IVA n. IT 01275930236

Comfort Ambiente - Via Garbo, 27 - 37045 Legnago (VR)

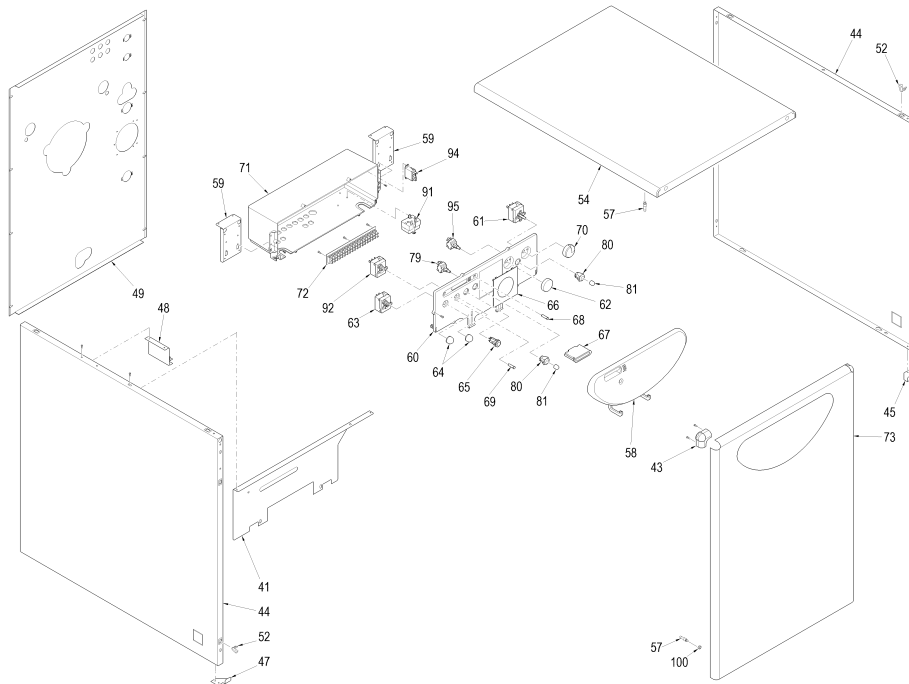
Tel +39 0442 631111 - Fax Servizio Commerciale: Italia +39 0442 631291 - Estero +39 0442 631293

Fax Servizio Tecnico +39 0442 631292 - Fax Ufficio Acquisti +39 0442 631292 - Fax Amministrazione +39 0442 631336

8103271 GR.TERM.GASOL.DUETTO 35 ErP



DUETTO ErP



DUETTO ErP

Posiz.	Codice	Descrizione
001	6274401	Front section
002	6274601	Intermediate section
003	6274501	Rear section
004	6000402	Push nipple 2"
005A	6275212	Tray

006	6238303	Non return valve 1"Mx1"F
007A	6000587	Tie-rod M10x482
008A	6268432	Tie-rod M10x535
009	2030231	Gasket Ø 42x55x2
010	2041001	Plug 1-1/4"
011	2041030	Plug 1/4" Zn
012	6179102	Drain cock 1/2"
013	6003415	Spacer
014	6058720	Lower baffle
017	6052700	Flange oval gasket
018	6283701	Combustion chamber door
019	6004902	Ceramic fibre insulation
020	6174802	Sight frame insulation
021	6020100	Sight glass
022	6047400	Sight frame
023	6194409	Flanged air separator
024	6083515	Pipe downstream to the circulat
025	6236401	Section mounting bracket
026	6013100	Automatic air vent 3/8"
027	2030249	Gasket Ø 24x17x3
028A	6236543	Flow pipe
029	6040200	Pressure relief valve 1/2" 3 ba
030	2030227	Gasket Ø 12x18x2
031	2030257	Gasket diam. 30x22x3
032	6037502	Water pressure switch
033	2030225	Gasket Ø 5,5x11x2
034	6272365	Modulating circulating pump
035A	6215639	C.H. return pipe
036	6027000	Manometer 1/4" 0-4 bar
037	6146601	Boiler loop 3/8"
038	2030226	Gasket Ø 10,2x14,8x2
039	6271000	Air separator deflector
040	6227662	Expansion vessel connecting pip
041	6189566	Casing sides fixing bracket
042	5112300	Expansion vessel l. 10 - 3/4" M
043	6282160	Front panel angular
044A	6321915	Casing R.H./L.H. side panel
045	6189561	Casing door R.H. side bracket
047	6189560	Casing door L.H. side bracket
048	6189565	Expansion vessel fixing bracket
049	6275340	Casing rear panel
050	6146301	Brass nut 1/2"
051	6146306	Brass nut 1" OT
052	2015000	Spring clip
053	6138713	D.H.W. tank fixing bracket
054A	6299362	Casing top cover
055	6099691	Combust. chamber door lower ins
056	6099692	Combust. chamber door upper ins
057	2003000	Pin M5 Zn
058	6299100	Flap door
059	6267108	Control panel supporting bracke
060	6298910	Control panel
061	6003600	Boiler stat 45-85°C
062	6247338	Cap for knob hole
063	6001403	Safety stat
064	6247350	Cap thermostat
065	6070413	Red signal lamp
066	6155471	Plastic cover
067	6001760	Thermometer 0-120°C
068	6044015	Green signal lamp
069	6044017	Orange signal lamp
070	6230950	Knob
071	6299000	Control panel protecting cover
072	2211000	Terminal strip
073	5195504	Front panel with angular
074	2051000	Contact spring
075	2005001	Self threading screw M4x8
076	5004201	Bulb holder 1/2" L=275
077	6000605	Stud M10x65
078	6000607	Stud M10x33
079	6013550	White switch
080	6299700	White switch frame
081	6299800	Push button white switch
085	6179200	Holder complete with locking nu
086A	6222805	D.H.W. exchanger K30
087A	6165703	D.H.W. outlet pipe
089A	6165805	Domestic cold water inlet pipe

090A	6216015	D.H.W. cylinder return pipe
091	6013601	Anti inertia stat
092	6075800	Limit stat auto-reset
094	6190403	Relay Omron G2R-1-T
095	6013450	Summer-Winter switch
096	6017210	Manual air vent 1/4"
097	6275520	Water feeding pipe
100	2010102	Nut M5 ZnCr
105	6211712	Water pressure switch
701	6055823	Main cable L=2000
702	6245341	Pump connector L=1100
703	6299922	5 pole cable connector
706	6050900	Set boiler assembling tools
708	5188609	Complete casing without control
709	5178411	Complete cast iron boiler block
710	5194612	Complete control panel