



Fonderie Sime S.p.A. - Via Garbo, 27 - 37045 Legnago (VR) - www.sime.it
 Tribunale Verona 13531 - R.E.A. VR 171357 - C.C.P. 19423375 - N° Mecc. VR 014435
 Capitale Sociale Euro 5.521.200 int. versato - Codice Fiscale/Partita IVA n. IT 01275930236

Comfort Ambiente - Via Garbo, 27 - 37045 Legnago (VR)

Tel +39 0442 631111 - Fax Servizio Commerciale: Italia +39 0442 631291 - Estero +39 0442 631293

Fax Servizio Tecnico +39 0442 631292 - Fax Ufficio Acquisti +39 0442 631292 - Fax Amministrazione +39 0442 631336

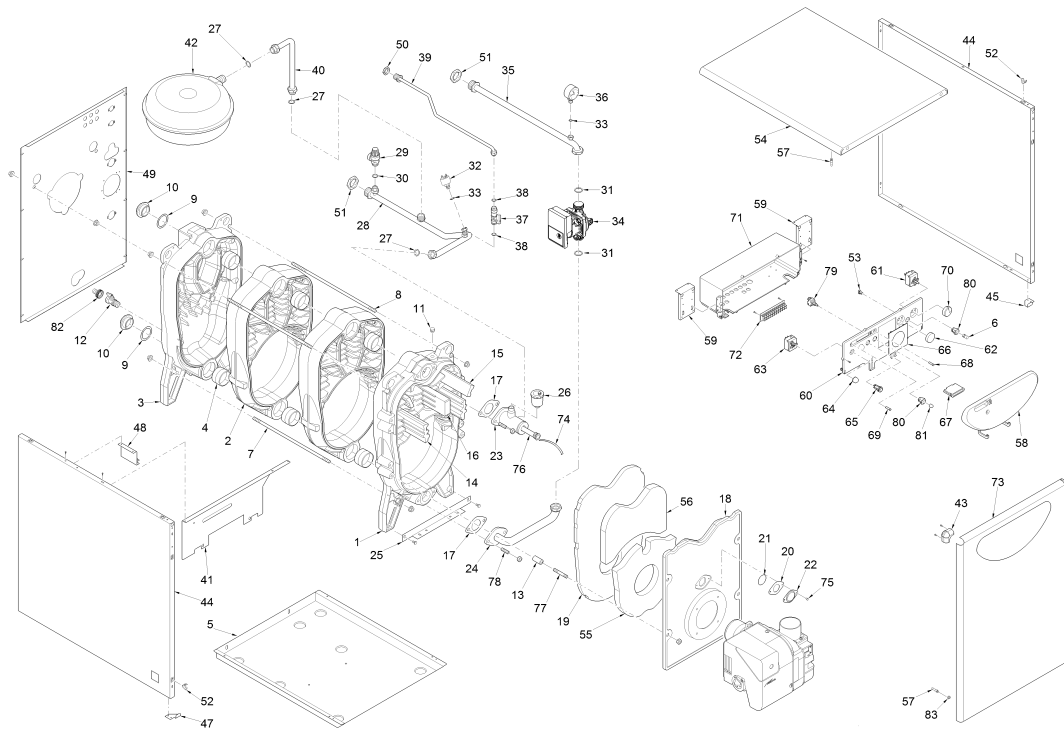
8103020 GR.TERMICO GASOL.SOLO 25 ErP

IT - Vedere cod.6276140 x esploso bruciatore SOLO 25 ErP

GB - See code 6276140 for burner expl.view of SOLO 25 ErP

IT - Vedere cod.6276141 x esploso bruciatore SOLO 35 ErP

GB - See code 6276141 for burner expl.view of SOLO 35 ErP



SOLO 25-35 ErP

Posiz.	Codice	Descrizione
001	6274401	Front section
002	6274601	Intermediate section
003	6274501	Rear section
004	6000402	Push nipple 2"
005	6275211	Tray
006	6300000	Cap for switch
007	6000586	Tie-rod M10x381
008	6268431	Tie-rod M10x435
009	2030231	Gasket Ø 42x55x2
010	2041001	Plug 1-1/4"
011	2041030	Plug 1/4" Zn
012	6179102	Drain cock 1/2"
013	6003415	Spacer
014	6058720	Lower baffle
015	6058730	Upper baffle
016	6058740	Middle baffle
017	6052700	Flange oval gasket
018	6283701	Combustion chamber door
019	6004902	Ceramic fibre insulation
020	6174802	Sight frame insulation
021	6020100	Sight glass
022	6047400	Sight frame
023	6194409	Flanged air separator
024	6083510	Pipe downstream to the circulat
025	6236401	Section mounting bracket
026	6013182	Automatic air vent
027	2030249	Gasket Ø 24x17x3
028	6236515	C.H. flow pipe
029	6040200	Pressure relief valve 1/2" 3 ba
030	2030227	Gasket Ø 12x18x2

031	2030257	Gasket diam. 30x22x3
032	6037502	Water pressure switch
033	2030225	Gasket Ø 5,5x11x2
034	6272365	Modulating circulating pump
035	6215628	C.H. return pipe
036	6043600	Manometer 0-4 bar
037	6146601	Boiler loop 3/8"
038	2030226	Gasket Ø 10,2x14,8x2
039	6275511	Boiler feeding loop
040	6227663	Pipe connecting expansion vesse
041	6189566	Casing sides fixing bracket
042	5112300	Expansion vessel l. 10 - 3/4" M
043	6282160	Front panel angular
044	6321914	Casing R.H./L.H. side panel
045	6189561	Casing door R.H. side bracket
047	6189560	Casing door L.H. side bracket
048	6189565	Expansion vessel fixing bracket
049	6275340	Casing rear panel
050	6146301	Brass nut 1/2"
051	6146306	Brass nut 1" OT
052	2015000	Spring clip
053	6300100	Support cap
054	6299361	Casing top cover
055	6099691	Combust. chamber door lower ins
056	6099692	Combust. chamber door upper ins
057	2003000	Pin M5 Zn
058	6299100	Flap door
059	6267108	Control panel supporting bracke
060	6298910	Control panel
061	6003600	Boiler stat 45-85°C
062	6247338	Cap for knob hole
063	6001400	H.L. stat 100°C
064	6247350	Cap thermostat
065	6070413	Red signal lamp
066	6155471	Plastic cover
067	6001760	Thermometer 0-120°C
068	6044015	Green signal lamp
069	6044017	Orange signal lamp
070	6230950	Knob
071	6299000	Control panel protecting cover
072	2211000	Terminal strip
073	5195504	Front panel with angular
074	2051000	Contact spring
075	2005001	Self threading screw M4x8
076	5004201	Bulb holder 1/2" L=275
077	6000605	Stud M10x65
078	6000607	Stud M10x33
079	6013550	White switch
080	6299700	White switch frame
081	6299800	Push button white switch
082	6179200	Holder complete with locking nu
083	2010102	Nut M5 ZnCr
700	5194800	Control panel assembly
701	6055823	Main cable L=2000
702	6245341	Pump connector L=1100
703	6299922	5 pole cable connector
704	5178311	Complete cast iron boiler block
705	5188607	Complete casing without control
706	6050900	Set boiler assembling tools